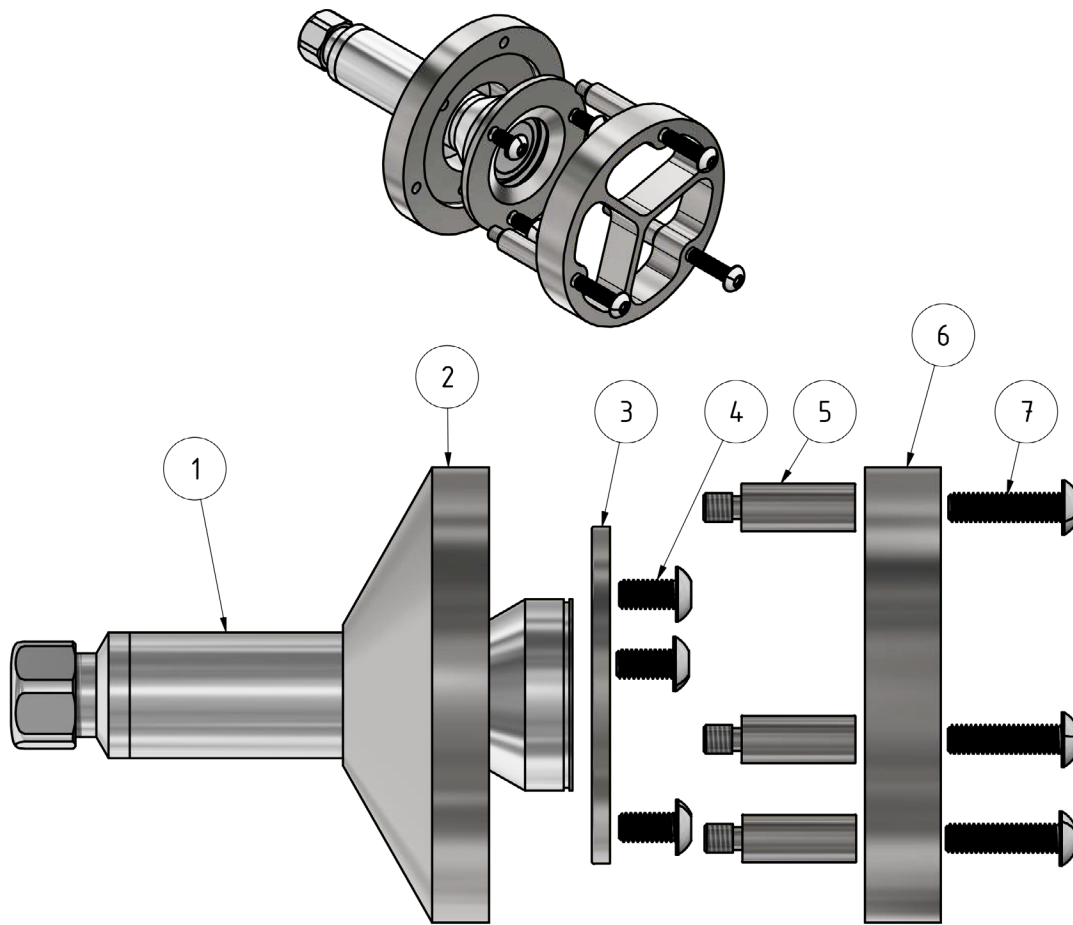


Protective Spacer Installation



This protective spacer is built for installation only on existing LevelRat transmitters that are NOT equipped with KELLER's conduit fitting attachment. The conduit fitting is too large to pass through spacer body (POS.2) and removal of the conduit fitting will result in irreparable damage to the LevelRat sealing components.

Parts List

POS	QTY	Part Number	Description	Material
1	1		LevelRat Transmitter	
2	1	900002.0081	Body	304 Stainless
3	1	900002.0084	Retainer	304 Stainless
4	3	900002.0085	10-32 X 3/8 Button Head - 1/8" Hex Key	Stainless Steel
5	3	900002.0083	Stand-Off	304 Stainless
6	1	900002.0082	Guard	304 Stainless
7	3	900002.0086	10-32 X 3/4 Button Head - 1/8" Hex Key	Stainless Steel